



ERPCat

ERP to Catalog Interface for SAQQARA ProductServer

9th October 2002

Pol Jamagne

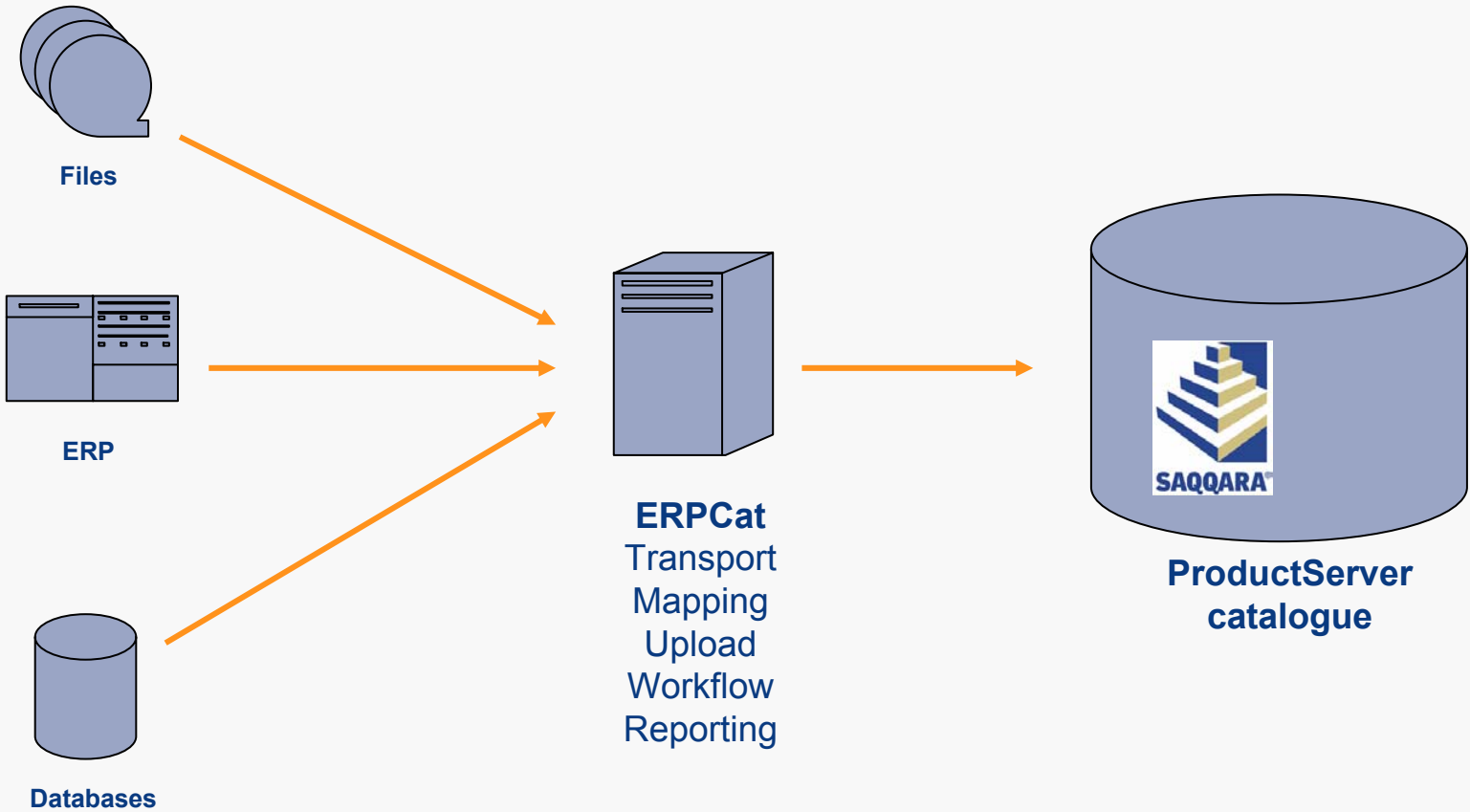
Agenda

- Mondiala solution: ERPCat
- Success stories

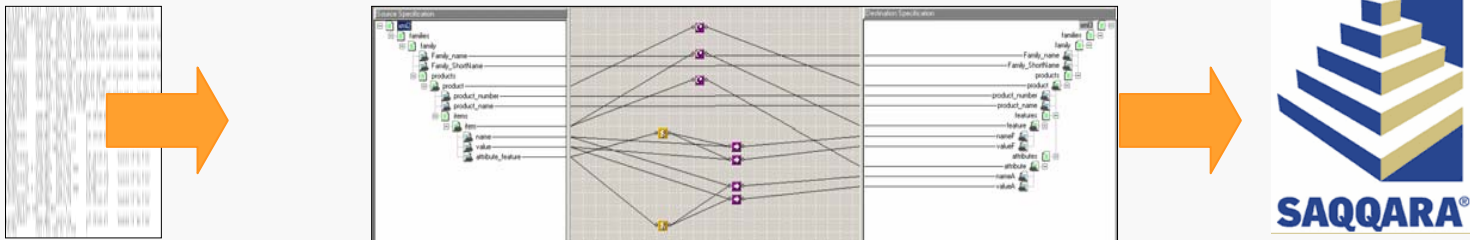
Agenda

- Mondiala solution - ERPCat
- Success stories

ERPCat - Mondiala interfacing solution

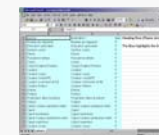
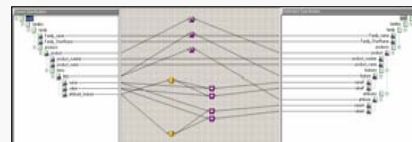
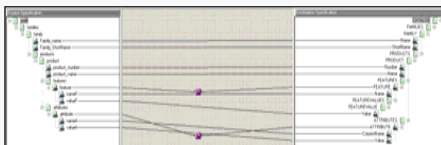


- Information can be sent to the system via ftp, http, mail (smtp), file copy,....
- ERPCat accepts the file, maps it and uploads it into the catalog



Mapping

- Incoming file (txt, Exell, XML (BMECAT, STIBO, CommerceServer,...) is converted to ProductServer XML format
- Simple mappings → BizTalk Mapper
- Complex mappings → Functionoid
- Lookups → Database, Excel files,...

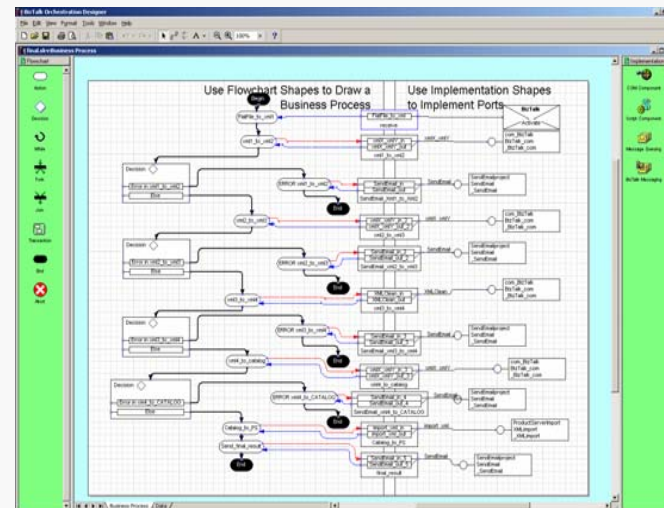
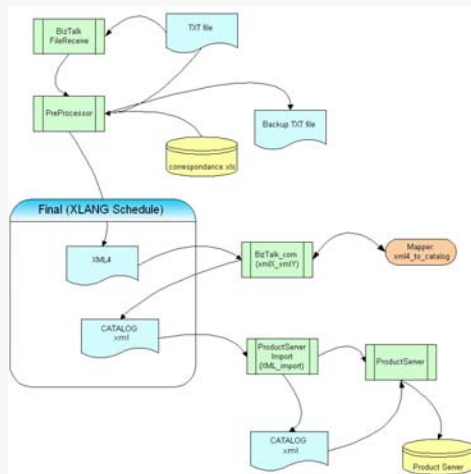


Upload

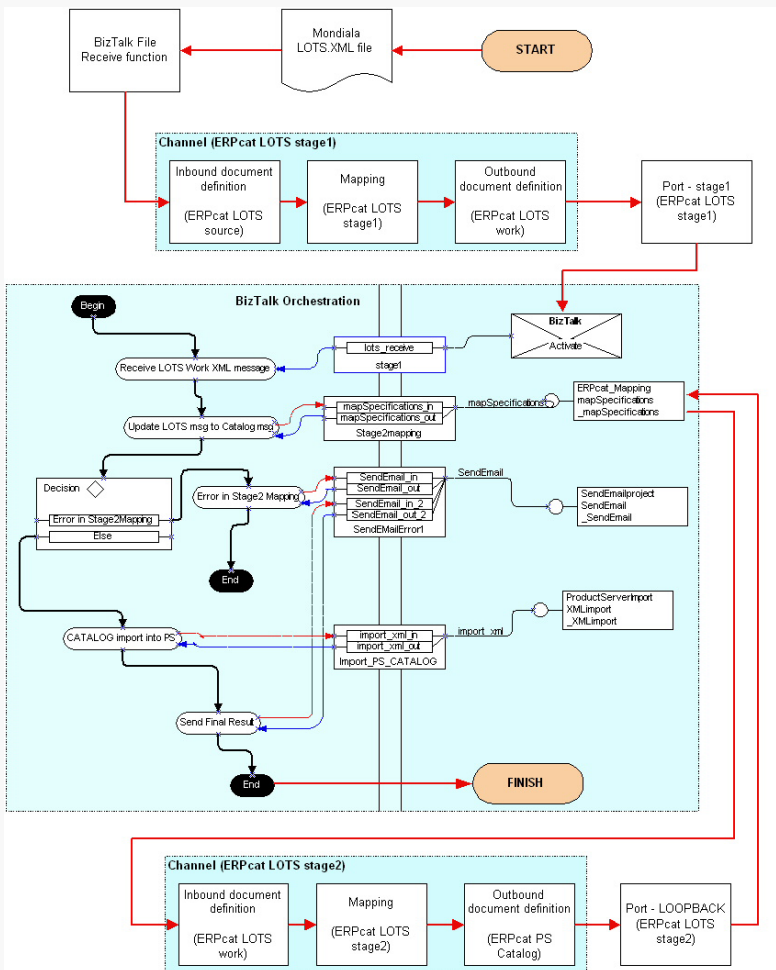
- ProductServer specific upload component
- Error trapping / reporting
- Add / Update / Delete
- Upload can be conditioned by catalog content
- Staging, indexes re-build and maintenance procedures can be triggered by ERPCat

Workflow

- ERPCat contains basic upload workflow
- Complex workflow can be implemented using BizTalk XLANG
- Workflow is designed using Microsoft Visio



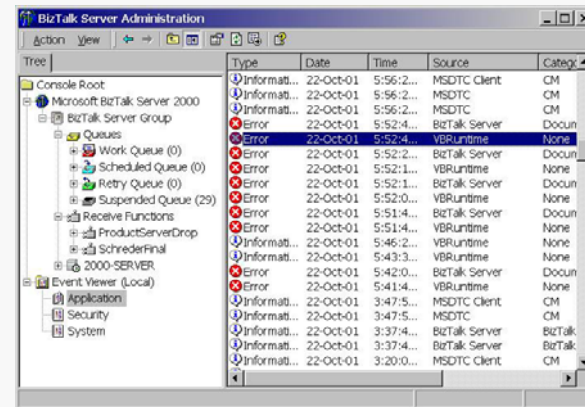
Workflow



- **START**
 - The BizTalk File Receive function detects the ERP file and calls the Stage1 Channel.
 - The Stage1 Channel does the Stage1 Mapping and sends the Stage1 file to the Orchestration.
 - The Orchestration sends the Stage1 file to the Mapping component
 - The Mapping component sends the file to the Stage2 Channel.
 - The Stage2 Channel does the Stage2 Mapping and returns the Stage2 file to the Orchestration.
 - The Orchestration sends the Stage2 file to the ProductServerImport component which imports the data into ProductServer
- **FINISH**

Reporting

- All operations tracked by proprietary logging, emails to operators, Windows Error log.
- All uploaded files are archived



Agenda

- Mondiala solution - ERPCat
- Success stories

Success stories: Schröder Group GIE



- Schröder Group GIE (www.schreder.com) is a manufacturer of lighting solutions
- It has about 20 companies worldwide
- Schröder is using SAQQARA ProductServer to publish product information on their intranet
- Different group companies have different ERPs (Baan, Power Partner,...)
- All companies are pushing, on a daily basis, updated product information automatically using **Mondiala ERPCat**
- The format used is a simple proprietary text format

Success stories: Hagemeyer



- Hagemeyer (www.hagemeyer.com) is a distributor of industrial products
- It has about 20 companies worldwide
- Hagemeyer is using Saqqara ProductServer for the e-Catalog of its group companies
- All the group companies have different formats for product information exchange. All companies are pushing, on a daily basis, updated product information automatically using **Mondiala ERPCat**
- The formats used are proprietary formats, ProductServer Excel format, STIBO, BMECAT,...